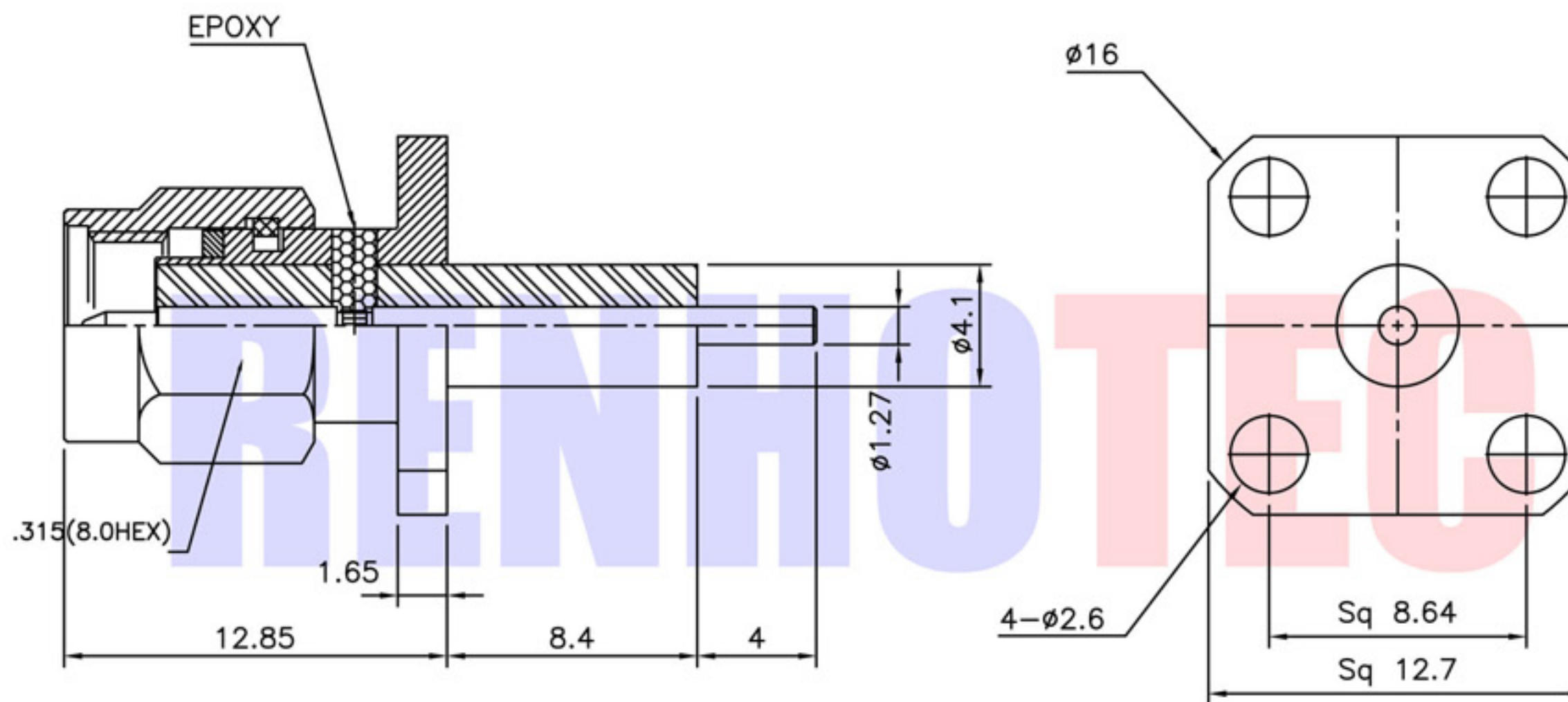




Product NO.	Renhotec-612-0235			
REV	DESCRIPTION	DWN	DATE	APPROVEN
A	First issue	Mr. Wang	2017/3/2	John kine



NOTES:

- INTERFACE PER MIL-STD-348
- MATERIALS  
INSULATOR: TEFLON  
CENTER CONTACT: BRASS  
BODY, COUPLING CAP: STAINLESS STEEL 303
- FINISHES  
CENTER CONTACT: GOLD PLATE  
BODY, COUPLING CAP: PASSIVATED
- CENTER CONTACT TO BE EPOXY CAPTIVATED

NOTE:		Tolerance	0-6 ±0.10 6-30 ±0.20 30-120 ±0.30 Angular ±2°					
DRAWN	2017/3/2					View		Name: SMA 4Hole Panel Male Coaxial END Receptacle
CHECKED		UNIT	MM	SIZE A	Product NO. RHT-612-0235			
APPROVALS	2017/3/2	SCALE	1:1	DateTime	2017/3/2	CAD FILE	D/company drawings/BD	SHEET: 1 OF 1
John Kine								