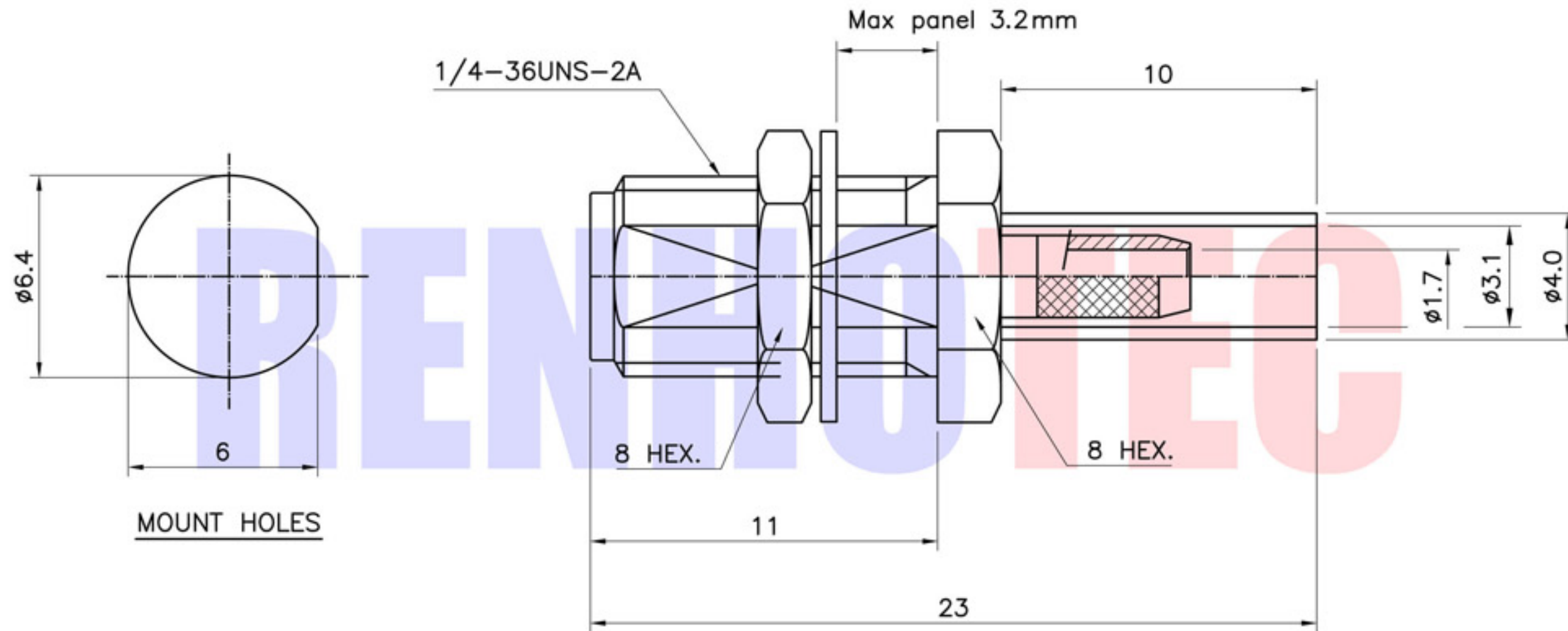




Product NO.	Renhotec-612-0213			
REV	DESCRIPTION	DWN	DATE	APPROVEN
A	First issue	Mr. Wang	2017/3/1	John kine



Connector parts	Materials	Finish
Body ,Nut	Brass	Gold Plated
Center contact	Beryllium copper	Gold Plated
Insulator	PTFE	-
Ferrule	Brass	Gold Plated
Lock washer	Stainless steel	Gold Plated

NOTE:		Tolerance	0-6 ±0.10 6-30 ±0.20 30-120 ±0.30 Angular ±2°		
DRAWN	2017/3/1				
Zelin. Zhang	2017/3/1	View		Name: SMA Bulkhead Jack for Cable RG316, 174	
CHECKED		UNIT	MM	SIZE A	Product NO. RHT-612-0213
APPROVALS	2017/3/1	SCALE	1:1	DateTime	CAD FILE
John Kine	2017/3/1			2017/3/1	D/company drawings/BD
				SHEET: 1 OF 1	