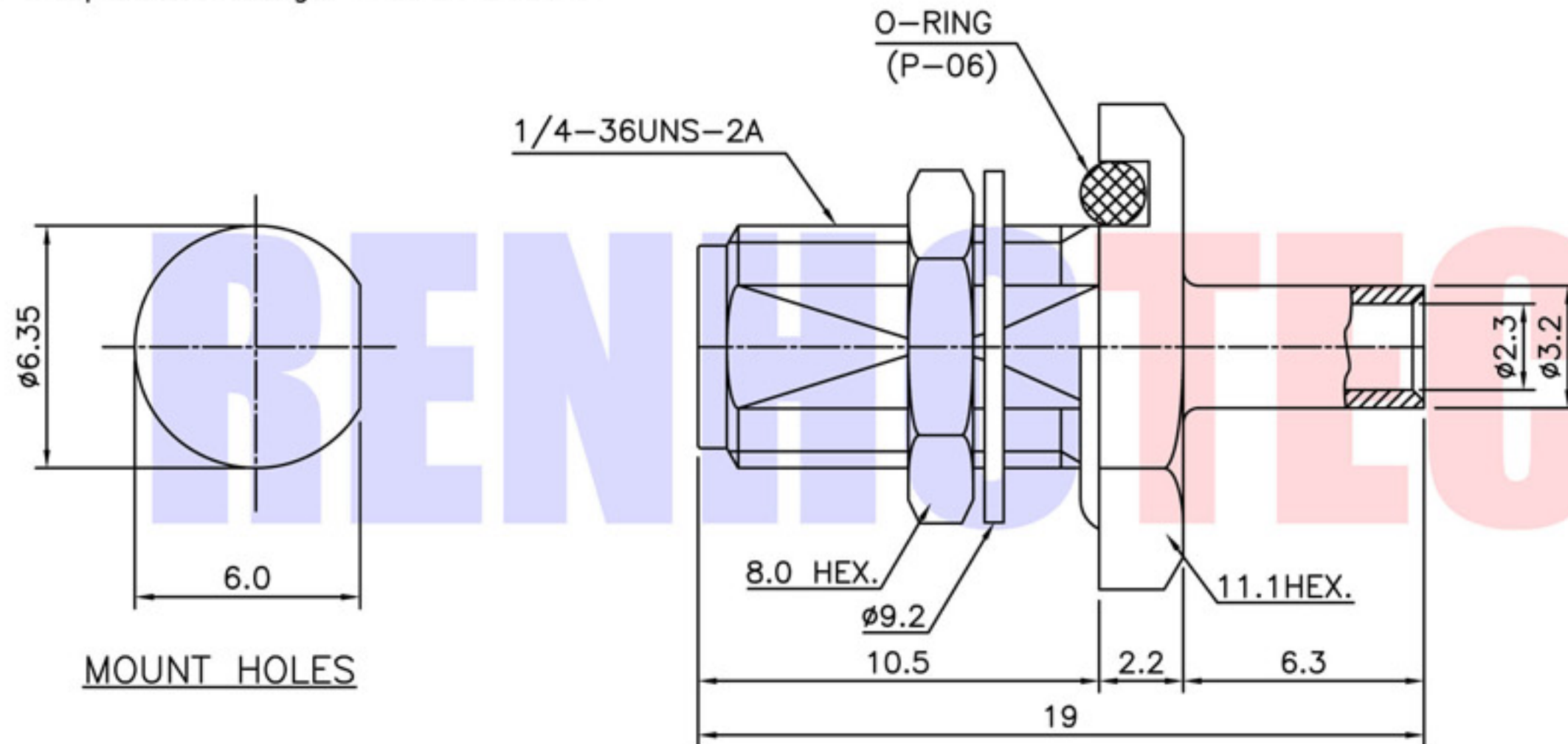




**SPECIFICATIONS.**

- 1.1 Impedance: 50ohm
- 1.2 Frequency Range: DC TO 18GHz
- 1.3 Working Voltage rating: 335 Vrms
- 1.4 Dielectric Withstanding Voltage: 1000 Vrms
- 1.5 VSWR: 1.2:1 Max
- 1.6 Insulation Resistance: 5,000 megohms
- 1.7 Connector Durability: 500 mating
- 1.8 Temperature Range: -45°C~+155°C

Product NO.	Renhotec-612-0206			
REV	DESCRIPTION	DWN	DATE	APPROVEN
A	First issue	Mr. Wang	2017/3/1	John kine



Connector parts	Materials	Finish
Body,Nut,Washer	Stainless steel	Gold Plated
Center contact	Beryllium copper	Gold Plated
Insulator	PTFE	-
O-Ring	Silicone Rubber	-

NOTE:		Tolerance	0-6 ±0.10
			6-30 ±0.20
			30-120 ±0.30
			Angular ±2°
DRAWN	Zelin. Zhang	2017/3/1	View
CHECKED			
		UNIT	MM
APPROVALS		SCALE	1:1
John Kine		2017/3/1	



**RENHOTEC GROUP**

Name: SMA Bulkhead Jack with Seal for Cable UT085			
SIZE A	Product NO. RHT-612-0206	REV	B
DateTime	CAD FILE	SHEET: 1 OF 1	
2017/3/1	D/company drawings/BD		