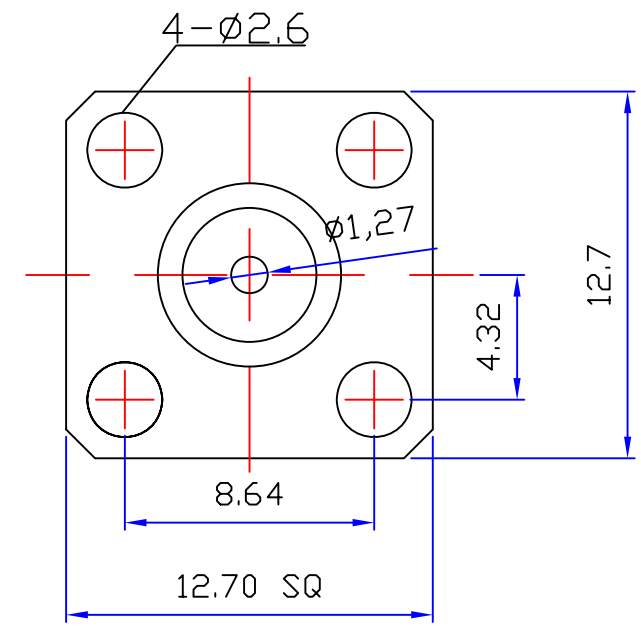
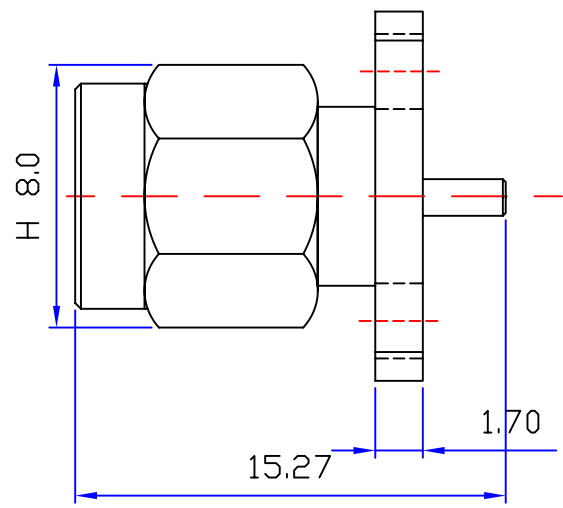




Product NO.		DOSIN-806-0027		
REV	DESCRIPTION	DWN	DATE	APPROVEN
A	First issue	Mr. Wang	2012/05/06	John kine




Specifications:

IMPEDANCE: 50 Ohms
 Frequency range: 0~6GHZ
 VSWR: 1.5MAX
 Working voltage: 500V rms @ sea level
 Insulation resistance: 5000 Ohms min
 Temperature range: -55°C TO +155°C
 Relative temperature: ≤95% (40° C ± 2° C)

1	Shell	Brass	AU: 1-3u"
2	Body	Brass	AU: 1-3u"
3	Insulator	TEFLON	None
4	C-Ring	Steel	True Colours
5	Gasket	Silicon	Red
6	Center contact	Brass	AU: 5u"
NO	Component Number	Material	Finish

NOTE:	
DRAWN	2012/05/06
Zelin. Zhang	
CHECKED	
APPROVALS	
John Kine	06/05.2012

Tolerance	X.	±0.15
	X.X	±0.10
View	X.XX	±0.05
	Angular	±5°
UNIT	MM	
SCALE	1:1	


Dosin Industrial (HK) Co. Ltd
 东莞市德索五金电子制品有限公司
Dosin Hardware Electronics Co., Ltd

E-mail: dosin2005@163.com
 dosin2005@dosin-china.com
 Web: http://www.dosinconn.com
 TEL: (0086) 769-81153906
 FAX: (0086) 769-81875836

Name: SMA panel PLUG 4-hole square flange mount
 SIZE A Product NO. DOSIN-806-0027 REV A
 DateTime 2012/05/06 CAD FILE H/company drawings/BD SHEET: 1 OF 1