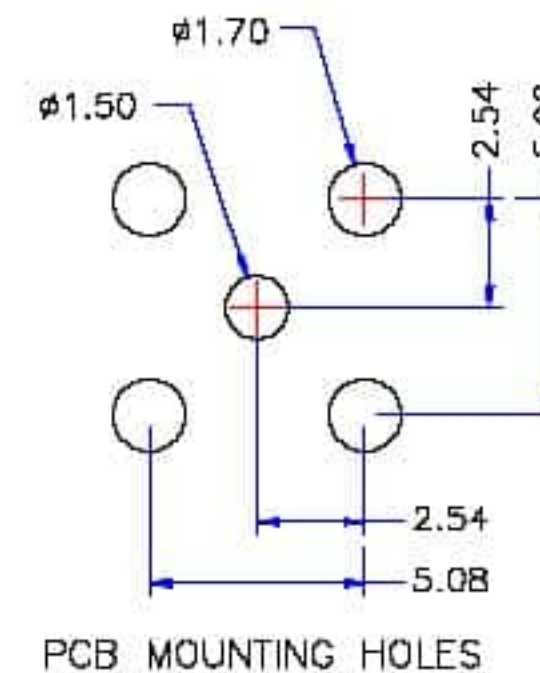
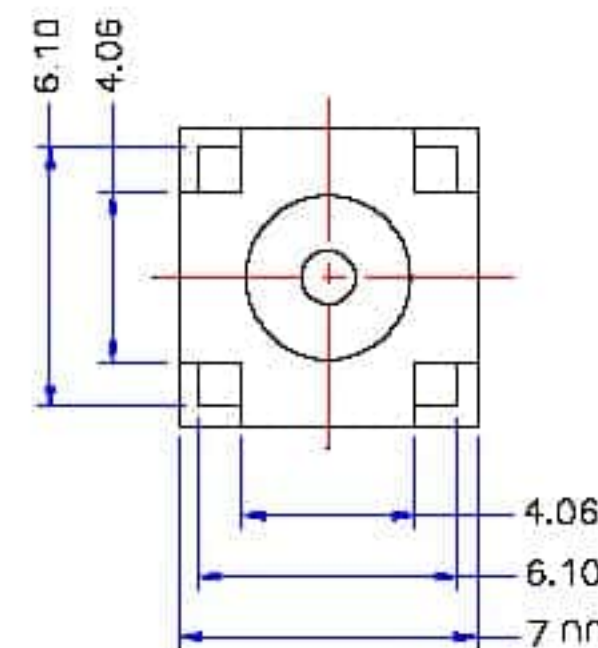
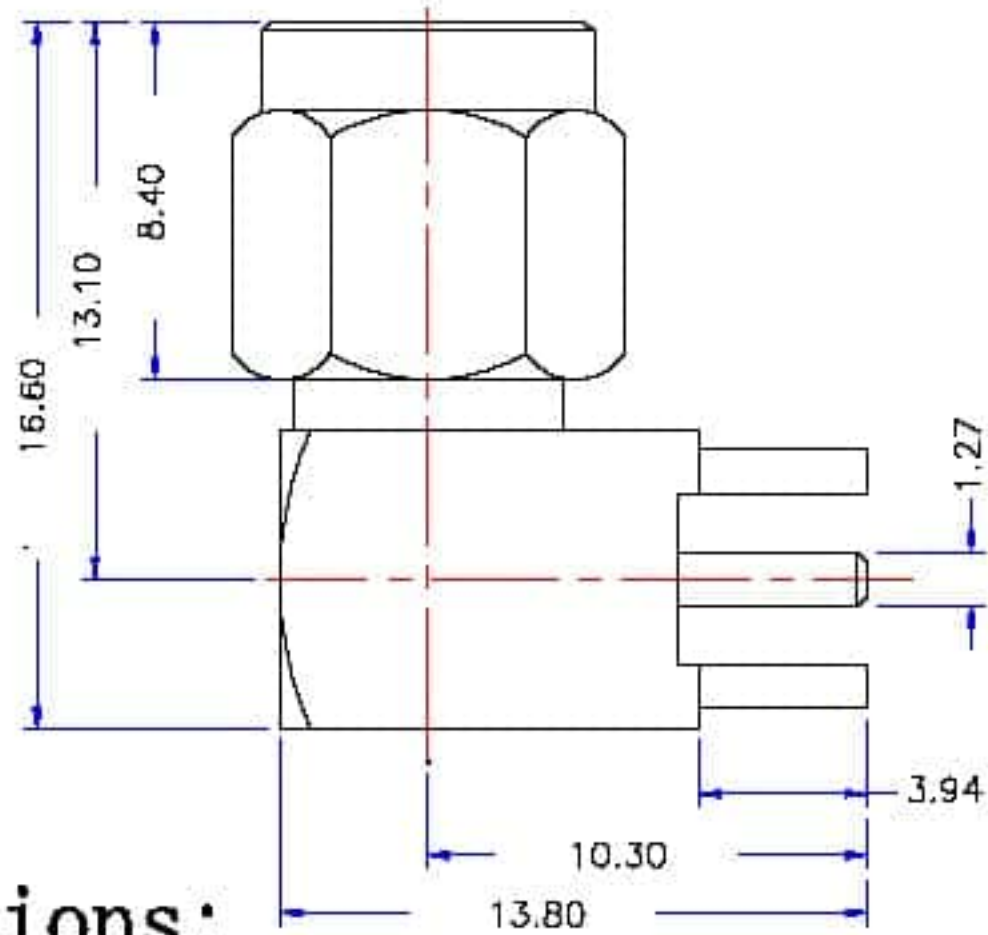




Product NO.	Renhotec-612-0009			
REV	DESCRIPTION	DWN	DATE	APPROVEN
A	First issue	Mr. Wang	2016/3/29	John King



Specifications:

IMPEDANCE: 50 Ohms

Frequency range: 0~6GHZ

VSWR: 1.5MAX

Working voltage: 500V rms @ sea level

Insulation resistance: 5000 Ohms min

Temperature range: -65°C TO +165°C

Relative temperature: $\leq 95\%$ (40° C $\pm 2^\circ$ C)

1	Body	Brass	Au:1u"
2	Insulator	TEFLON	White
3	Center contact	Brass	AU:3u"
4	Washer	Brass	Au:1u"
5			
6			
7			
8			
9			
10			
NO	Component Number	Material	Finish

NOTE:	
DRAWN	2016/03/29
Zelin. Zhang	
CHECKED	
APPROVALS	29.03.2016
John King	

Tolerance	0-6	± 0.10
	6-30	± 0.20
View	30-120	± 0.30
	Angular	$\pm 2^\circ$
UNIT	MM	
SCALE	1:1	



RENHOTEC GROUP

Name: SMA Jack CONNECTOR			
SIZE	Product NO. RENHOTEC-612-0009	REV	
A			
Date/Time	CAD FILE	SHEET: 1 OF 1	
2016/3/29	D/company drawings/BD		