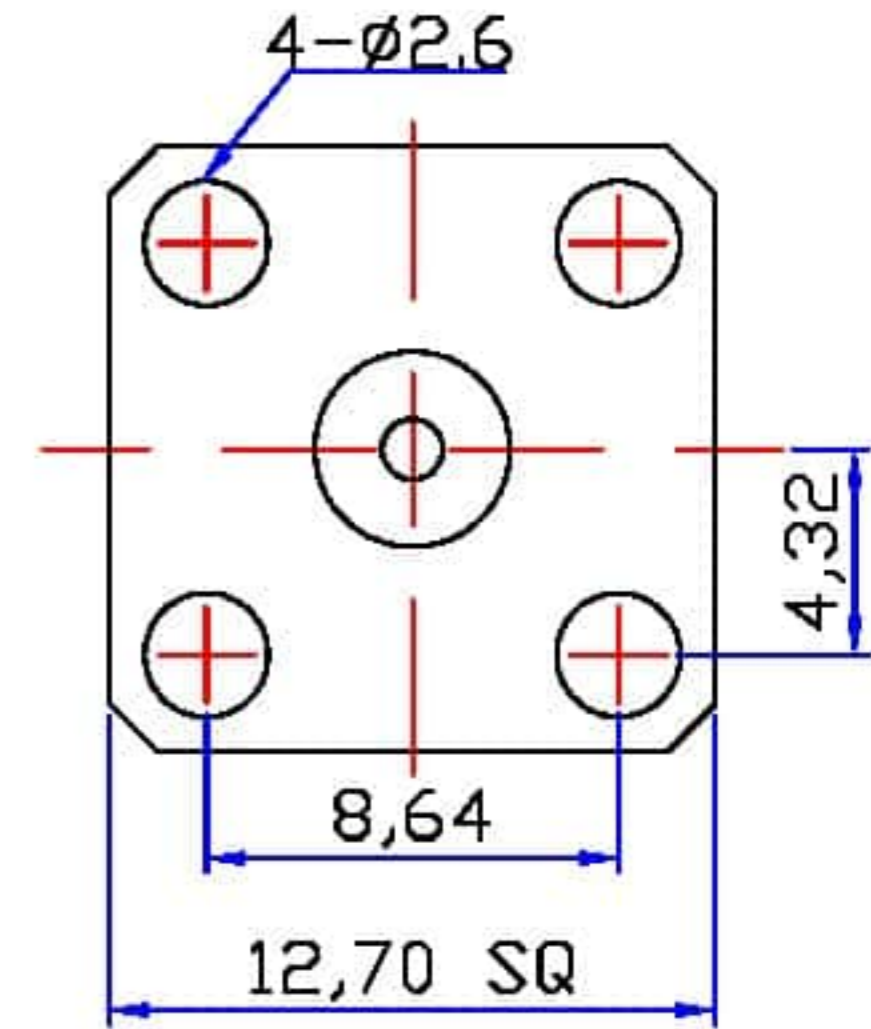
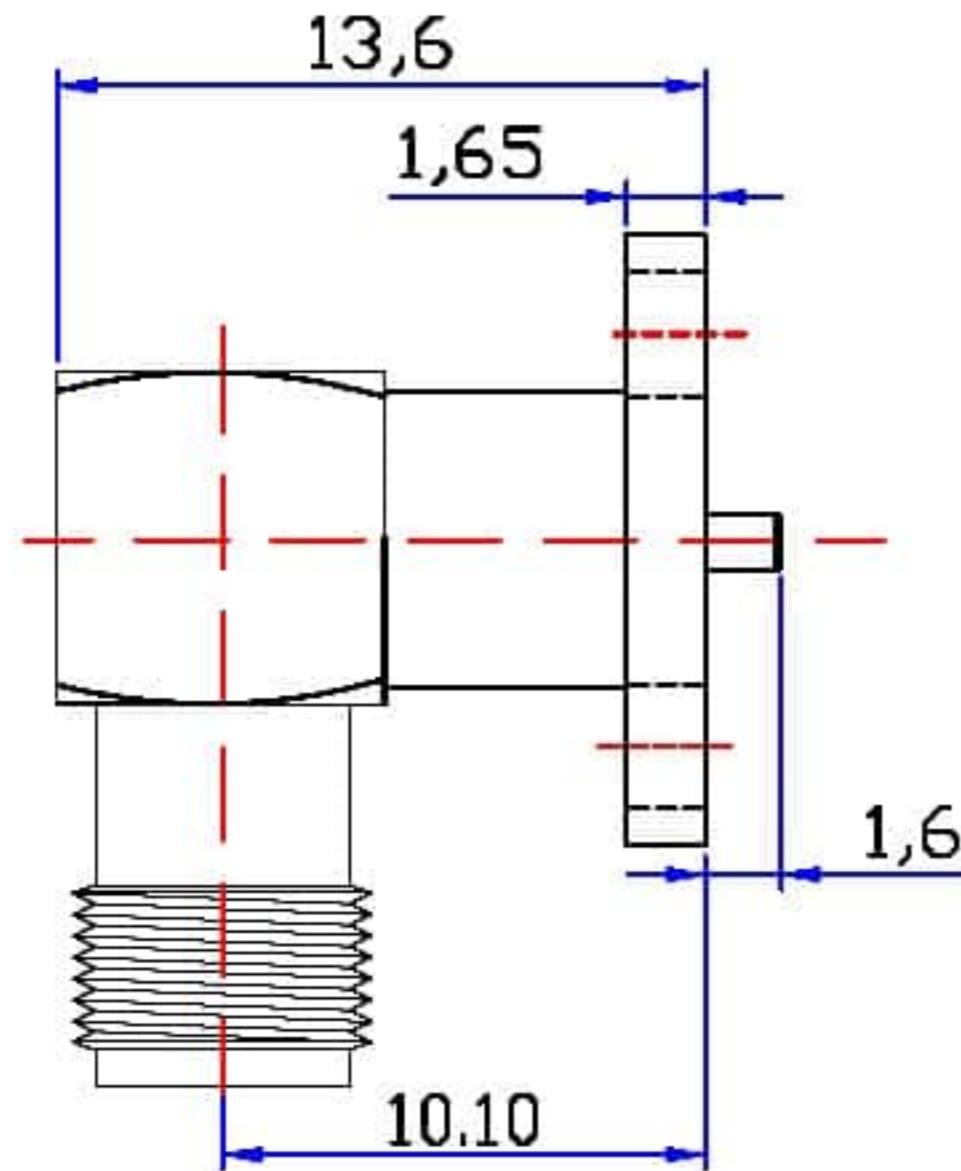




Product NO.	Renhotec-612-0013			
REV	DESCRIPTION	DWN	DATE	APPROVEN
A	First issue	Mrchen	2016/4/12	John kine



### Specifications:

IMPEDANCE: 50 Ohms

Frequency range: 0~6GHZ

VSWR: 1.5MAX

Working voltage: 500V rms @ sea level

Insulation resistance: 5000 Ohms min


Temperature range: -55°C TO +155°C

Relative temperature: ≤95% (40° C ± 2° C)

1	Body	Brass	Au: 1u"
2	Insulator	TEFLON	White
3	Center contact	Phosphor	Au: 3u"
4			
5			
6			
7			
8			
9			
10			
NO	Component Number	Material	Finish

NOTE:	
DRAWN	2016/04/12
Zelin. Zhang	
CHECKED	
APPROVALS	12/04.2016
John Kine	

Tolerance	0-6	±0.10
	6-30	±0.20
View	30-120	±0.30
	Angular	±2°
UNIT	MM	
SCALE	1:1	



www.renhotec.com

## RENHOTEC GROUP

Name: SMA panel jack 4-hole square flange mount (R/A)

SIZE	Product NO. RENHOTEC-612-0013	REV
A		

Date/Time	CAD FILE	SHEET: 1 OF 1
2016/4/12	D/company drawings/BD	