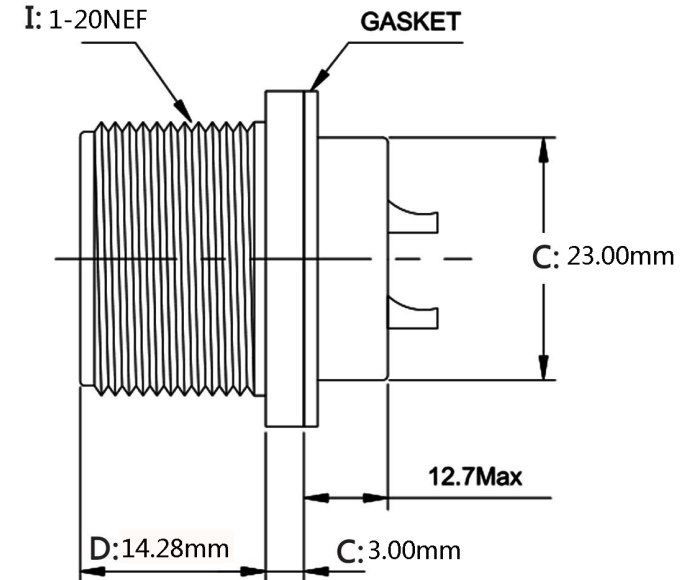
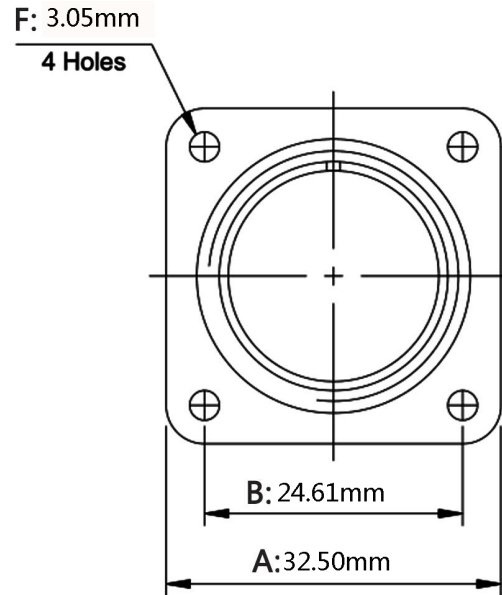


Insert Arrangement 16S-1  
 Service Rating A  
 Number of Contacts 7  
 Contact Size 16



**Electrical data**

Contact size	Pin contact Diam,	Solder Pot Diam,	Rated Current (Mated with insulators)	Contact resistance	
				Test current DC A	Potential Drop(Max) mV
#16	1.6	1.9	13A	13A	49
#12	2.4	3.0	23A	23A	42
#8	3.6	5.4	46A	46A	26
#4	5.7	8.4	80A	80A	23
#0	9.1	12.2	150A	150A	21

**Wire range accommodations**

Size	A.W.G	Wire normal square size(mm <sup>2</sup> )	Dielectric material outer diam.
#16	#22-#16	≤1.3	1.7~3.3
#12	#14-#12	≤3.5	2.9~4.3
#8	#10-#8	≤8.0	4.2~6.4
#4	#6-#4	≤22.0	7.0~9.4
#0	#2-#0	≤50.0	10.6~14.0

**Materials:**

Shell: Aluminum alloy, Olive drab chromate  
 Contact: brass with gold plated  
 Insulator: Synthetic Rubber

**Tech data:**

Ambient Temperature Range: -55°C-+125°C  
 Frequency: 10-2000Hz/147m/s<sup>2</sup>  
 Shock: 490 m/s<sup>2</sup>  
 Durability: ≥500 times  
 Relative humidity: 95±4% at 40°C  
 Insulation resistance: ≥5000MΩ  
 Withstanding voltage: 2000V

NOTE:			0-6 ±0.10 6-30 ±0.20 30-120 ±0.30 Angular ±2°
DRAWN	2018/6/13	View	
CHECKED	2018/6/13	UNIT	MM
APPROVALS <i>John Kine</i>		SCALE	1:1



**RENHOTEC GROUP**

Name: Military Spec MS3102A-16S-1P 7Pin Male Connector			
SIZE A	Product NO. RHT-MS3102A-16S-1P	REV B	
DateTime 2018/6/13	CAD FILE D/company drawings/BD	SHEET: 1 OF 1	

Product NO.	Renhotec-MS3102A-16S-1P			
REV	DESCRIPTION	DWN	DATE	APPROVEN
A	First issue	Mr. Wang	2018/6/13	John kine