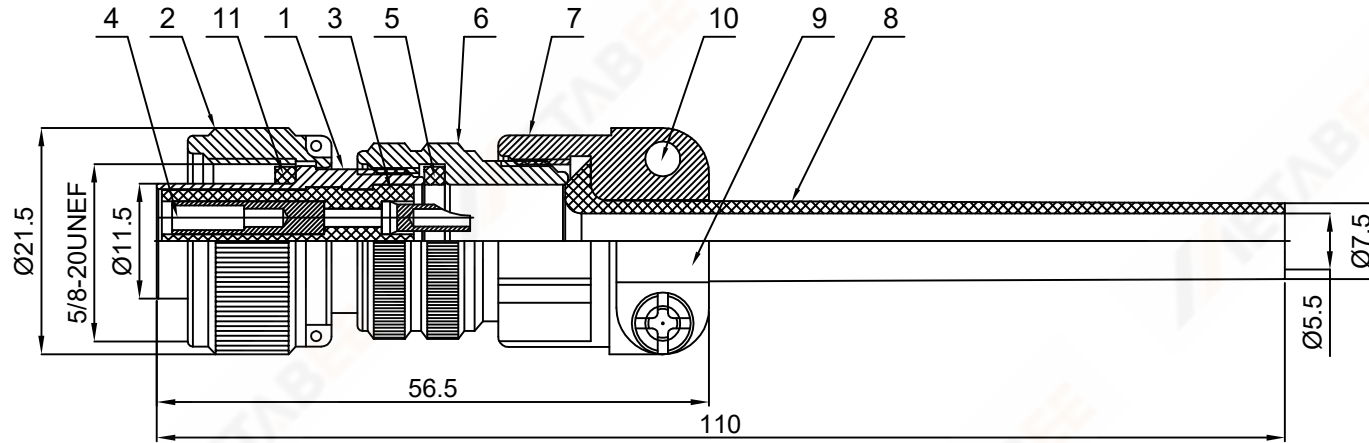


Change number of times	Change date	Change reason	Change porject	Checked

Model : MS3106A 10SL-4S



Product Specifications:

1. Electrical properties

Insulation resistance: 1000MQ

Rated voltage: 500V

Withstand voltage: 3000V

4#: Operating current 80A, contact resistance before life 0.5M , after life 1.0M

AWG Wire diameter #4~#6

8#: Operating current 46A, contact resistance before life 1.0M , after life 1.7M

AWG Wire diameter #8~#10

12#: Operating current 23A, contact resistance before life 1.7M , after life 3.5M

AWG Wire diameter #12~#14

16#: Operating current 13A, contact resistance before life 3.5M , after life 6M

AWG Wire diameter #16~#22

2. Mechanical properties

Mechanical life: 500 times. Impact 490M/S², salt spray resistance 72h

Vibration: Frequency 10~2000Hz, acceleration 294M/S²

Collision: acceleration 980m/S²

3. Environment

Operating temperature: -55~125°C

Relative temperature: +40°, 93%

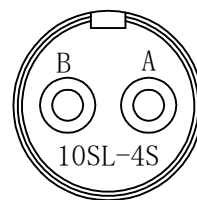
Atmospheric pressure: 101.33KPa-6.67KPa

4. Materials

Main body: aluminum alloy

5. Products comply with environmental ROHS requirements

11		Core tube gasket		1	Rubber
10		Screw		2	Iron
9		Crimp cover		2	Aluminum alloy
8		Tube		1	Rubber
7		Crimp cover		1	Aluminum alloy
6		Straight tube gasket		1	Rubber
5		Straight Tube		1	Aluminum alloy
4		16# Core		2	Brass alloy
3		10SL-4S Rubber Core		1	Rubber
2		Connect Nut		1	Aluminum alloy
1		Core Tube		1	Aluminum alloy



物料编号 (Material serial number)		名称 (Name)		3106A正装插头装配图	图号 (Part No)	10S
设计 (Design)	验证 (Verify)	核准 (Approved)	审核 (Checked)	电脑制图 (Draw)	件数 (Number)	重量 (Weight)
				页码 (Page number)		
					MS3106A10SL-4S	

序号 (Number)	图号 (Part No)	名称 (Name)	物料编号 (Material serial number)	数量 (Quantity)	材料 (Matl)	备注 (Note)
----------------	-----------------	--------------	----------------------------------	------------------	--------------	--------------



METABEE LIMITED