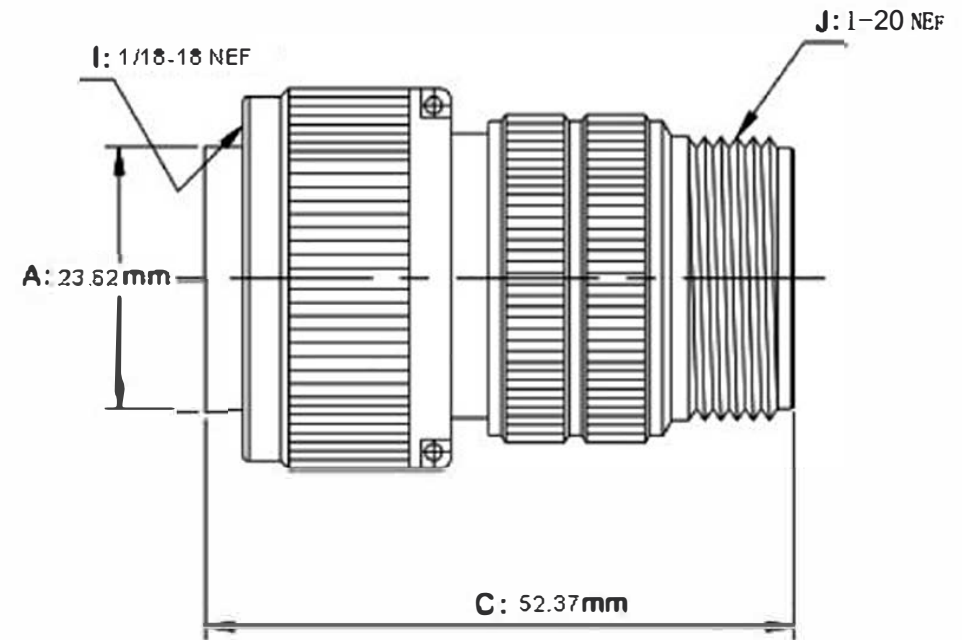
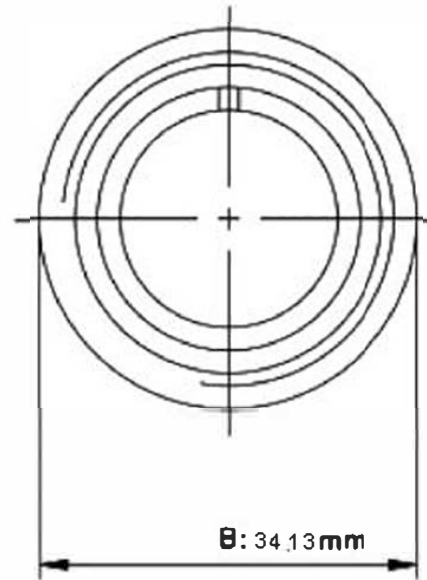
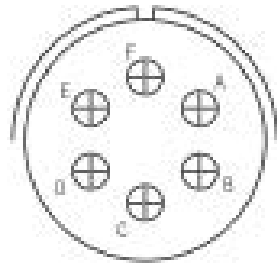




Product NO.	Renhotec-MS3106A18-12S			
REV	DESCRIPTION	DWN	DATE	APPROVEN
A	First issue	Mr. Wang	2018/3/27	John kine



Insert Arrangement 18-12  
 Service Rating A  
 Number of Contacts 6  
 Contact Size 16

**Materials:**

Shell: Aluminum alloy, Olive drab chromate

Contact: brass with silver plated

Insulator: Synthetic Rubber

**Tech data:**

Ambient Temperature Range: -55°C-+125°C

Frequency: 10-2000Hz/147m/s<sup>2</sup>

Shock: 490 m/s<sup>2</sup>

Durability: ≥500 times

Relative humidity: 95±4% at 40°C

Insulation resistance: ≥5000MΩ

Withstanding voltage: 2000V

**Electrical data**

Contact size	Pin contact Diam.	Solder Pot Diam.	Rated Current (Mated with insulators)	Contact resistance	
				Test current DC A	Potential Drop(Max) mV
#16	1.6	1.9	13A	13A	49
#12	2.4	3.0	23A	23A	42
#8	3.6	5.4	46A	46A	26
#4	5.7	8.4	80A	80A	23
#0	9.1	12.2	150A	150A	21

**Wire range accommodations**

Size	A.W.G	Wire normal square size(mm <sup>2</sup> )	Dielectric material outer diam.
#16	#22-#16	≤1.3	1.7-3.3
#12	#14-#12	≤3.5	2.9-4.3
#8	#10-#8	≤8.0	4.2-6.4
#4	#6-#4	≤22.0	7.0-8.4
#0	#2-#0	≤50.0	10.6-14.0

NOTE:			
	Tolerance	0-6 ±0.10 6-30 ±0.20 30-120 ±0.30 Angular ±2°	
DRAWN	2018/3/27	View	
CHECKED		UNIT	MM
APPROVALS	2018/3/27	SCALE	1:1
<i>John Kine</i>			



**RENHOTEC GROUP**

Name: Military Spec MS3106A18-12S 6Pin Female Connector

SIZE	Product NO.	REV
A	RHT-MS3106A18-12S	B
Date	CAD FILE	SHEET: 1 OF 1
Time	D/company drawings/BD	
2018/3/27		