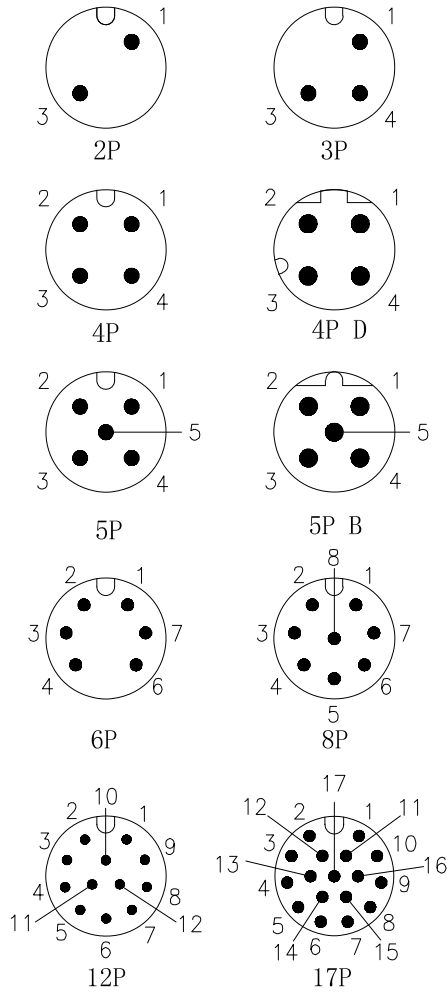
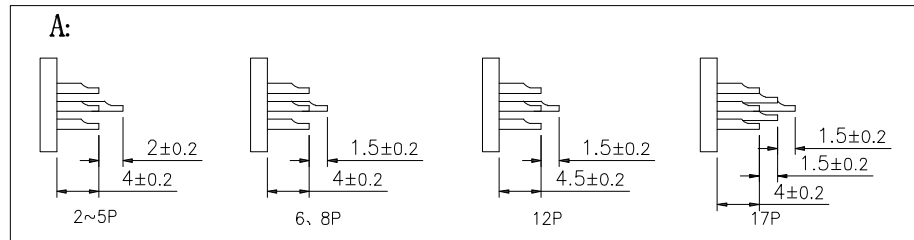
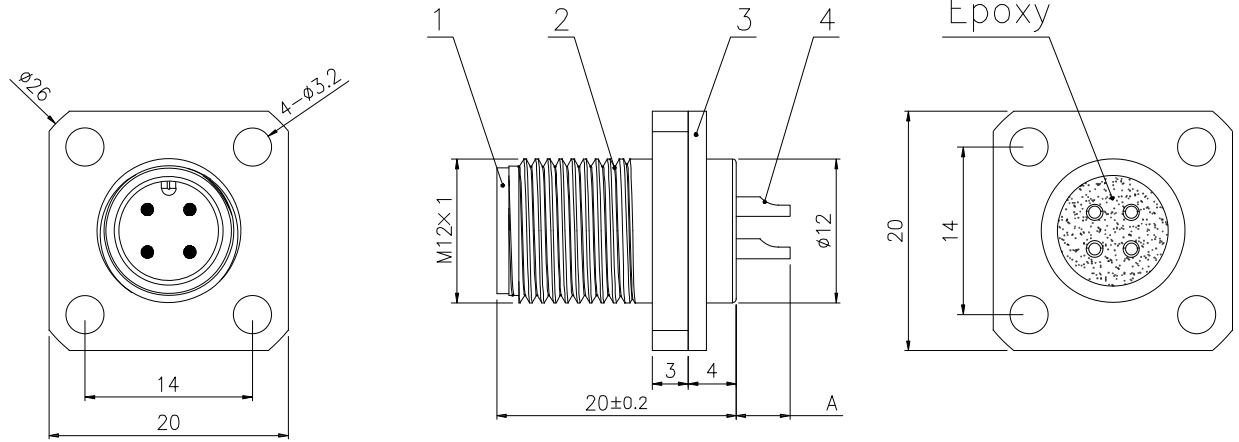


Pin Layout:



Specifications

Contacts	2	3	4	4D	5	5B	6	8	12	17
Rated current/ Rated voltage	4A/250V	4A/250V	4A/250V	4A/250V	4A/60V	4A/60V	2A/30V	2A/30V	1.5A/30V	1.5A/30V
Rated pulse voltage	2500V	2500V	2500V	2500V	1500V	1500V	800V	800V	800V	800V
Insulation resistance (MΩ)	≥100	≥100	≥100	≥100	≥100	≥100	≥100	≥100	≥100	≥100
Contact resistance (mΩ)	≤5	≤5	≤5	≤5	≤5	≤5	≤5	≤5	≤5	≤5



4	Contacts	Brass	Gold plated	pc	2~17
3	Gasket	SIL	/	pc	1
2	Body	Brass	Nickel plated	pc	1
1	Connector insert	PA66	/	pc	1
No.	Specification	Material	Treat	Unit	Q'tv

-TOLERANCES- UNLESS OTHERWISE SPECIFIED		<b>RENHOTEC GROUP</b>			
UNLESS OTHERWISE SPECIFIED TOLERANCES FOR MILLIMETERS ARE: 0.5 - 8mm ± 0.20mm 8 - 30mm ± 0.25mm 30 - 120mm ± 0.30mm		PART DESCRIPTION: M12 male, Flange type		P/N: RHT-634-1185	
Appr: JIM. KING		Date	Scale	Unit	Type
Check:		2022. 09. 08	Free	MM	Z
Draw: DING					1/1