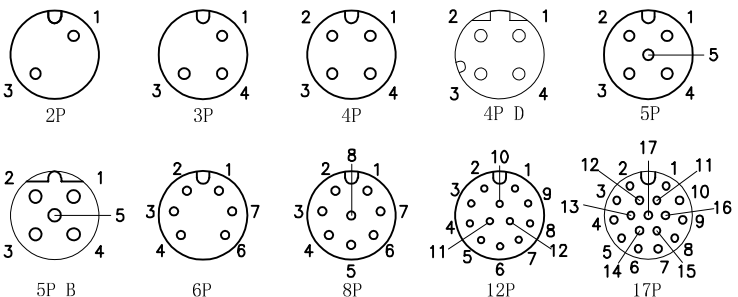


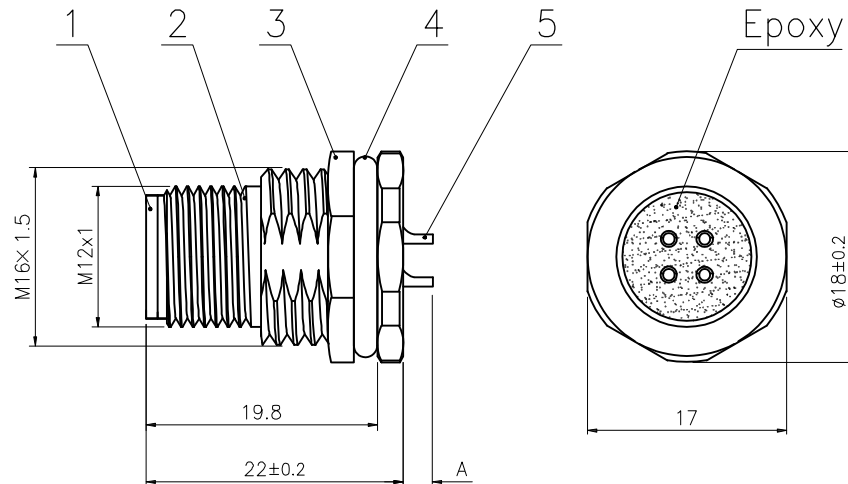
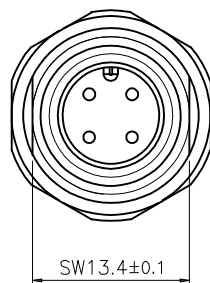
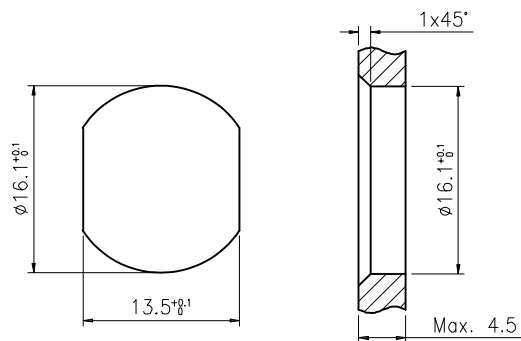
Pin Layout



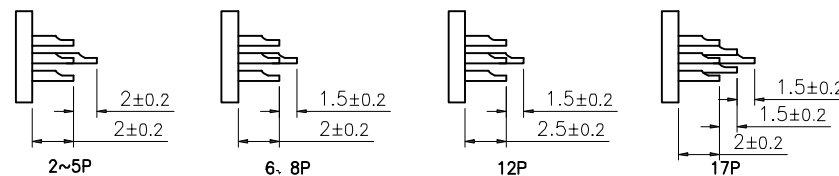
Specifications

	Product NO. RHT-634-3064										
	ISSUE	DESCRIPTION						DWN	DATE	APPROVEN	
	R1.0	First issue						Ding	2021/11/11	JIM.KING	
Contacts	2	3	4	4D	5	5B	6	8	12	17	
Rated current/ Rated voltage	4A/250V	4A/250V	4A/250V	4A/250V	4A/60V	4A/60V	2A/30V	2A/30V	1.5A/30V	1.5A/30V	
Rated pulse voltage	2500V	2500V	2500V	2500V	1500V	1500V	800V	800V	800V	800V	
Insulation resistance (MΩ)	≥100	≥100	≥100	≥100	≥100	≥100	≥100	≥100	≥100	≥100	
Contact resistance (mΩ)	≤5	≤5	≤5	≤5	≤5	≤5	≤5	≤5	≤5	≤5	

Panel Cut-out Dimensions



A:

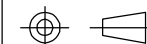


5	Contacts	Brass	Gold plated	pc	2~17
4	O-ring	Rubber	/	pc	1
3	Nut	Brass	Nickel plated	pc	1
2	Body	Brass	Nickel plated	pc	1
1	Connector insert	PA66	/	pc	1
No.	Specification	Material	Treat	Unit	Q'tv

-TOLERANCES-
UNLESS OTHERWISE
SPECIFIED



RENHOTEC GROUP



PART DESCRIPTION:
M12 male, Panel Mount, Solder, Front fastened

UNLESS OTHERWISE SPECIFIED
TOLERANCES FOR MILLIMETERS ARE:
0.5 - 8mm ± 0.20mm
8 - 30mm ± 0.25mm
30 - 120mm ± 0.30mm

Appr: JIM.KING

P/N: RHT-634-3064

Check:

Date	Scale	Unit	Type	Page
2021.11.11	Free	MM	Z	1/1

Draw: DING