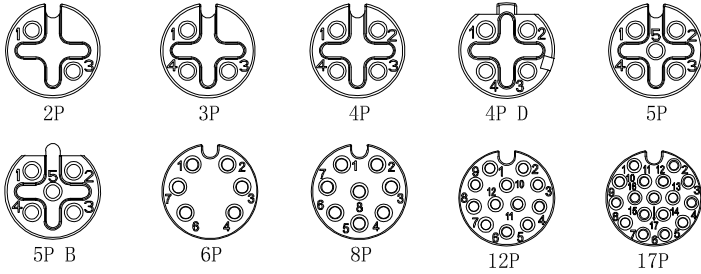


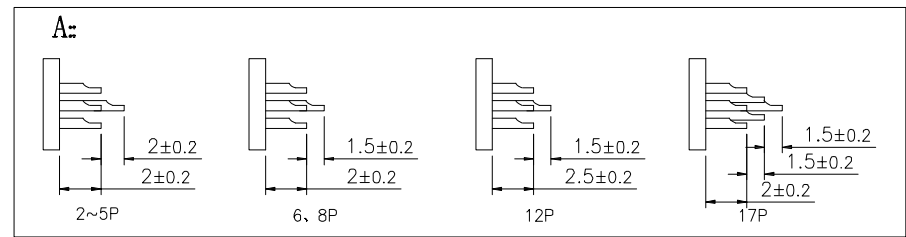
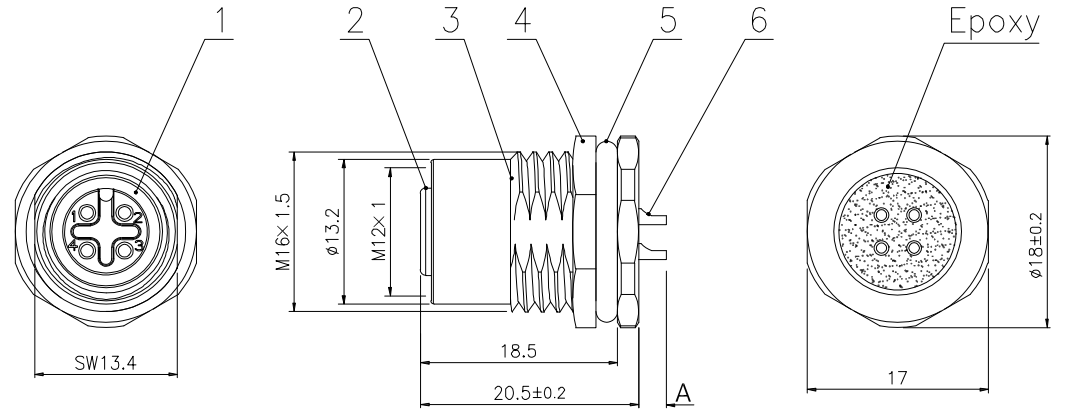
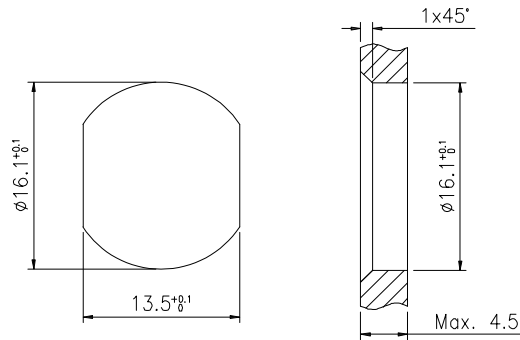
Pin Layout



Specifications

| | Contacts | Product NO. RHT-634-3065 | | | | | | | | | | |
|---------------------------------|----------|--------------------------|---------|---------|---------|--------|--------|-------------------------|--------|----------|-----------------|-------------------|
| | | ISSUE R1.0 | | | | | | DESCRIPTION First issue | | DWN Ding | DATE 2021/11/11 | APPROVEN JIM.KING |
| | | 2 | 3 | 4 | 4D | 5 | 5B | 6 | 8 | 12 | 17 | |
| Rated current/ Rated voltage | | 4A/250V | 4A/250V | 4A/250V | 4A/250V | 4A/60V | 4A/60V | 2A/30V | 2A/30V | 1.5A/30V | 1.5A/3 | |
| Rated pulse voltage | | 2500V | 2500V | 2500V | 2500V | 1500V | 1500V | 800V | 800V | 800V | 800V | |
| Insulation resistance (MΩ) | ≥100 | ≥100 | ≥100 | ≥100 | ≥100 | ≥100 | ≥100 | ≥100 | ≥100 | ≥100 | ≥10 | |
| Contact resistance (mΩ) | ≤5 | ≤5 | ≤5 | ≤5 | ≤5 | ≤5 | ≤5 | ≤5 | ≤5 | ≤5 | ≤5 | |

Panel Cut-out Dimensions



| | | | | | |
|-----|------------------|----------|---------------|------|------|
| 6 | Contacts | Brass | Gold plated | pc | 2~17 |
| 5 | O-ring | Rubber | / | pc | 1 |
| 4 | Nut | Brass | Nickel plated | pc | 1 |
| 3 | Body | Brass | Nickel plated | pc | 1 |
| 2 | Connector insert | PA66 | / | pc | 1 |
| 1 | O-ring | Rubber | / | pc | 1 |
| No. | Specification | Material | Treat | Unit | O'tv |

-TOLERANCES-
UNLESS OTHERWISE
SPECIFIED

UNLESS OTHERWISE SPECIFIED
TOLERANCES FOR MILLIMETERS ARE:
0.5 - 8mm ± 0.20mm
8 - 30mm ± 0.25mm
30 - 120mm ± 0.30mm

RENHOTEC GROUP

PART DESCRIPTION:
M12 Female, Panel Mount, Solder, Front fastened

P/N: RHT-634-3065

| | | | | | |
|----------------|------------|-------|------|------|------|
| Appr: JIM.KING | Date | Scale | Unit | Type | Page |
| Check: | 2021.11.11 | Free | MM | Z | 1/1 |