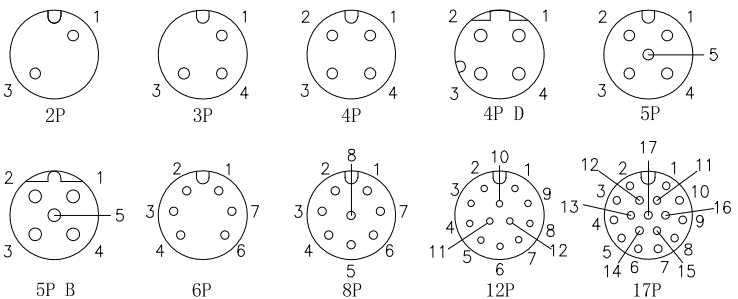


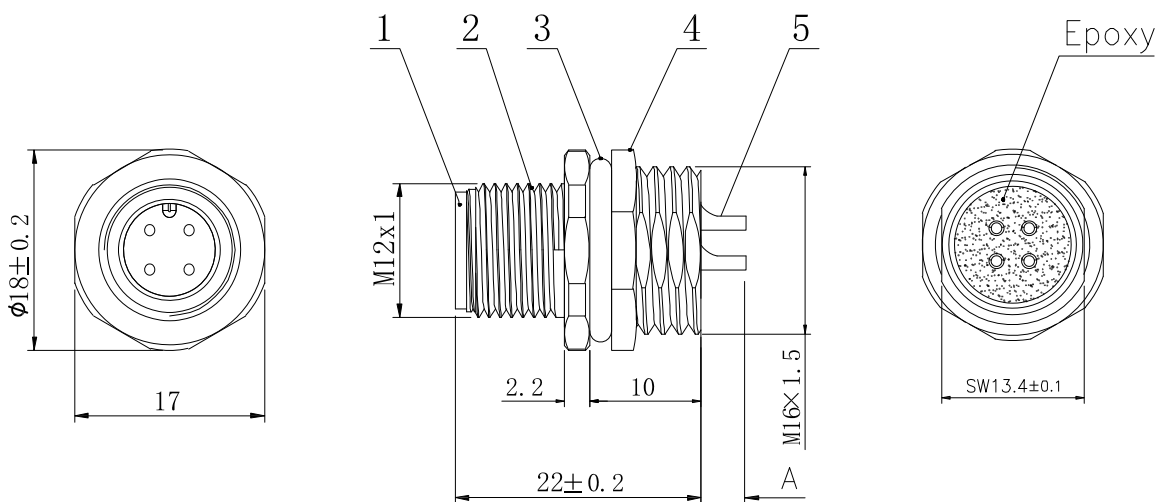
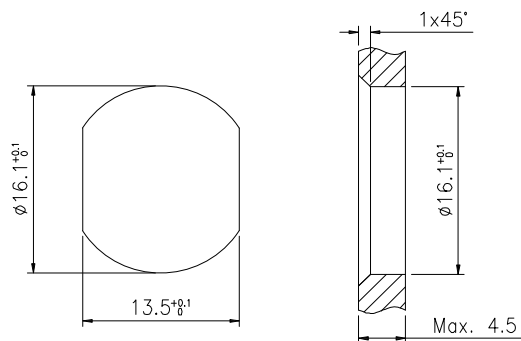
Pin Layout



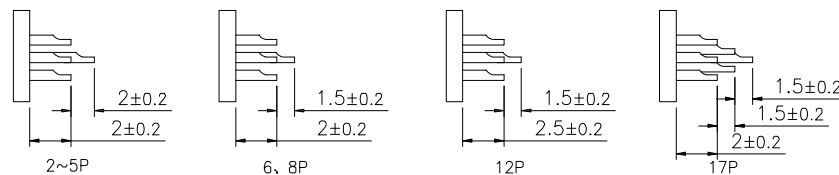
Specifications

Contacts	2	3	4	4D	5	5B	6	8	12	17
Rated current/ Rated voltage	4A/250V	4A/250V	4A/250V	4A/250V	4A/60V	4A/60V	2A/30V	2A/30V	1.5A/30V	1.5A/30V
Rated pulse voltage	2500V	2500V	2500V	2500V	1500V	1500V	800V	800V	800V	800V
Insulation resistance (MΩ)	≥100	≥100	≥100	≥100	≥100	≥100	≥100	≥100	≥100	≥100
Contact resistance (mΩ)	≤5	≤5	≤5	≤5	≤5	≤5	≤5	≤5	≤5	≤5

Panel Cut-out Dimensions



A:

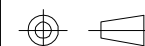


5	Contacts	Brass	Gold plated	pc	2~17
4	Nut	Brass	Nickel plated	pc	1
3	O-ring	Rubber	/	pc	1
2	Body	Brass	Nickel plated	pc	1
1	Connector insert	PA66	/	pc	1
No.	Specification	Material	Treat	Unit	Q'tv

-TOLERANCES-
UNLESS OTHERWISE
SPECIFIED



RENHOTEC GROUP



PART DESCRIPTION:
M12 male, Panel Mount, Solder, Rear fastened

UNLESS OTHERWISE SPECIFIED
TOLERANCES FOR MILLIMETERS ARE:
0.5 - 8mm ± 0.20 mm
8 - 30mm ± 0.25 mm
30 - 120mm ± 0.30 mm

Appr: JIM.KING

P/N: RHT-634-3066

Check:

Date	Scale	Unit	Type	Page
2021.11.11	Free	MM	Z	1/1

Draw: DING