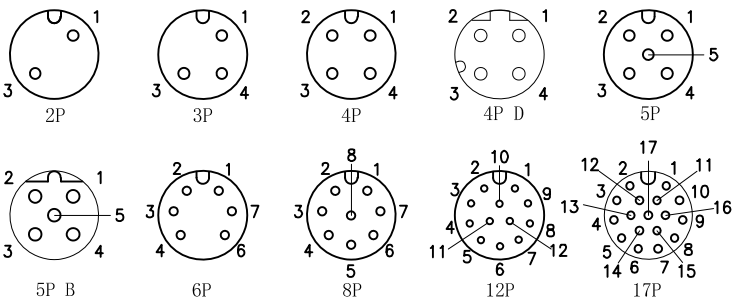


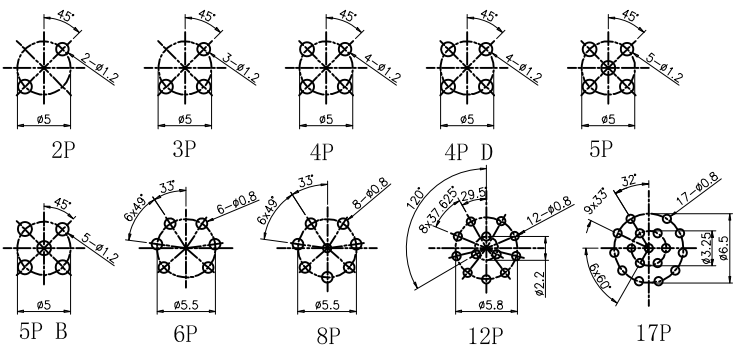
### Pin Layout:



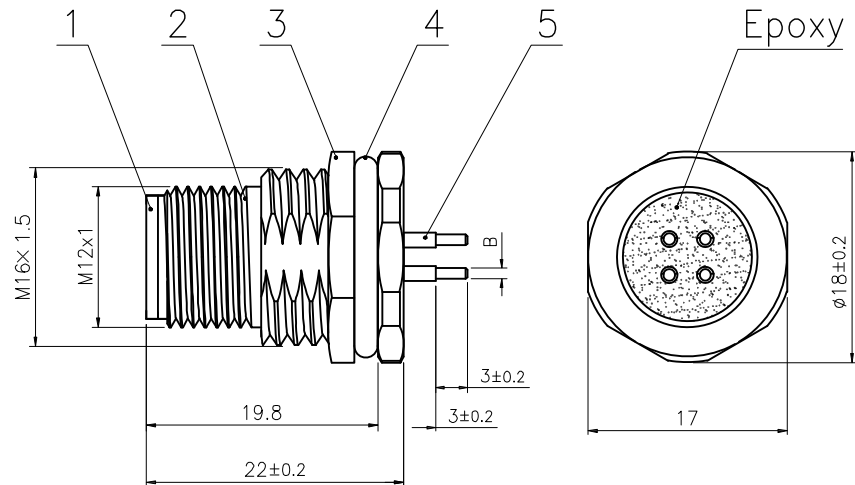
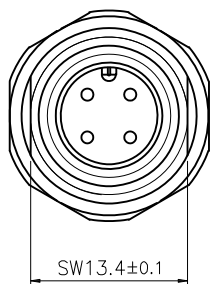
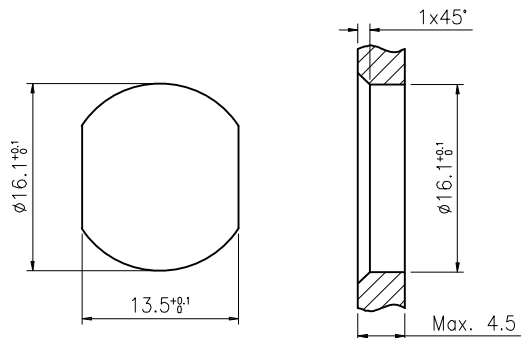
### Specifications

| Contacts                        | 2       | 3       | 4       | 4D      | 5      | 5B     | 6      | 8      | 12       | 17       |
|---------------------------------|---------|---------|---------|---------|--------|--------|--------|--------|----------|----------|
| Rated current/<br>Rated voltage | 4A/250V | 4A/250V | 4A/250V | 4A/250V | 4A/60V | 4A/60V | 2A/30V | 2A/30V | 1.5A/30V | 1.5A/30V |
| Rated pulse voltage             | 2500V   | 2500V   | 2500V   | 2500V   | 1500V  | 1500V  | 800V   | 800V   | 800V     | 800V     |
| Insulation resistance (MΩ)      | ≥100    | ≥100    | ≥100    | ≥100    | ≥100   | ≥100   | ≥100   | ≥100   | ≥100     | ≥100     |
| Contact resistance (mΩ)         | ≤5      | ≤5      | ≤5      | ≤5      | ≤5     | ≤5     | ≤5     | ≤5     | ≤5       | ≤5       |

### PCB Layout:




### Panel Cut-out Dimensions:



B: 2~5P:  $\phi 1$ mm  
6~17P:  $\phi 0.6$ mm

|     |                  |          |               |      |      |
|-----|------------------|----------|---------------|------|------|
| 5   | Contacts         | Brass    | Gold plated   | pc   | 2~17 |
| 4   | O-ring           | Rubber   | /             | pc   | 1    |
| 3   | Nut              | Brass    | Nickel plated | pc   | 1    |
| 2   | Body             | Brass    | Nickel plated | pc   | 1    |
| 1   | Connector insert | PA66     | /             | pc   | 1    |
| No. | Specification    | Material | Treat         | Unit | Q'tv |

|  |   |                   |       |      |      |      |
|--|---|-------------------|-------|------|------|------|
| -TOLERANCES-<br>UNLESS OTHERWISE<br>SPECIFIED  |  <b>RENHOTEC GROUP</b> |                   |       |      |      |      |
|  | PART DESCRIPTION:<br>M12 male, Panel Mount, PCB Type, Front fastened  |                   |       |      |      |      |
| UNLESS OTHERWISE SPECIFIED<br>TOLERANCES FOR MILLIMETERS ARE:<br>0.5 - 8mm $\pm 0.20$ mm<br>8 - 30mm $\pm 0.25$ mm<br>30 - 120mm $\pm 0.30$ mm | Appr: JIM.KING  | P/N: RHT-634-3068 |       |      |      |      |
|  | Check:  | Date              | Scale | Unit | Type | Page |
|  | Draw: DING  | 2021.11.11        | Free  | MM   | Z    | 1/1  |