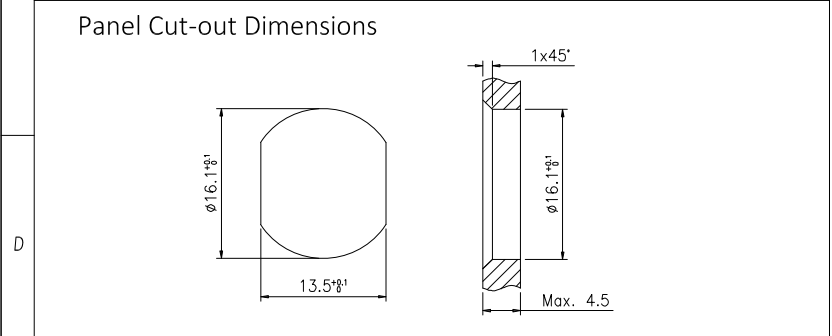
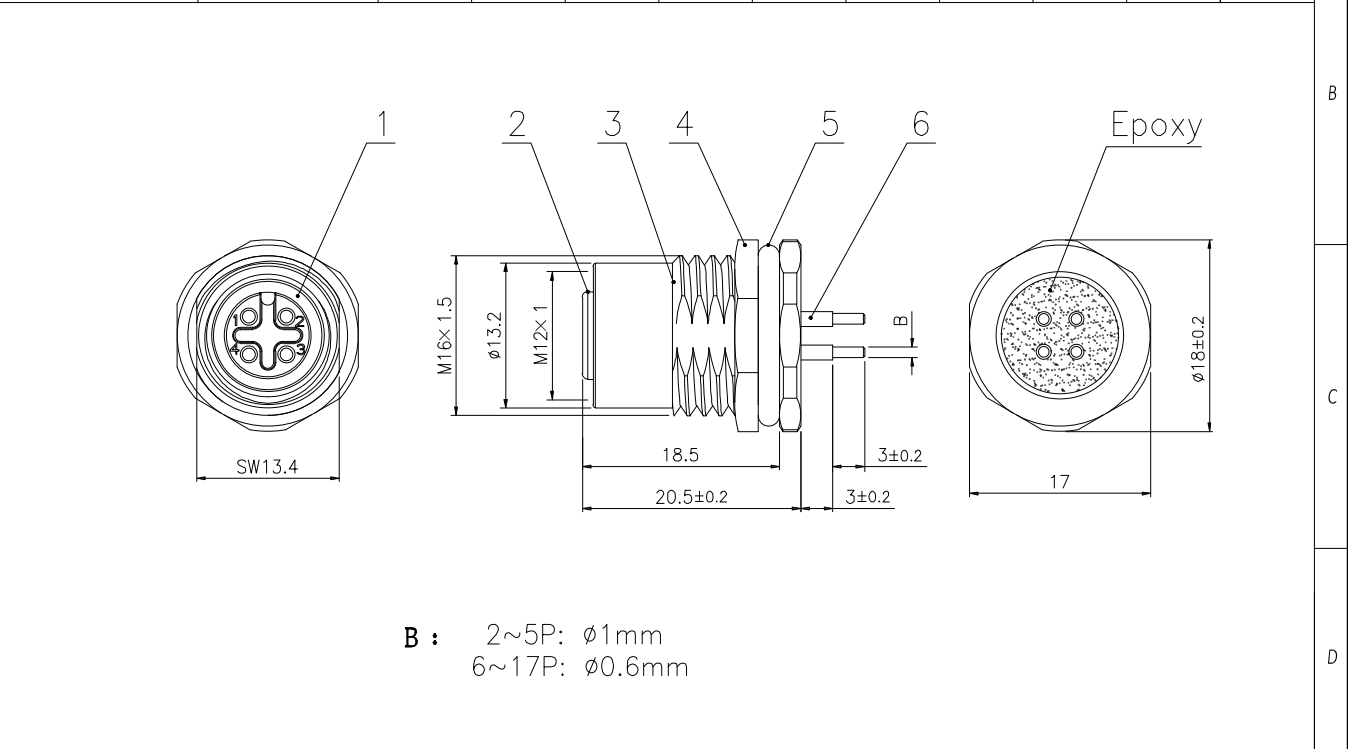
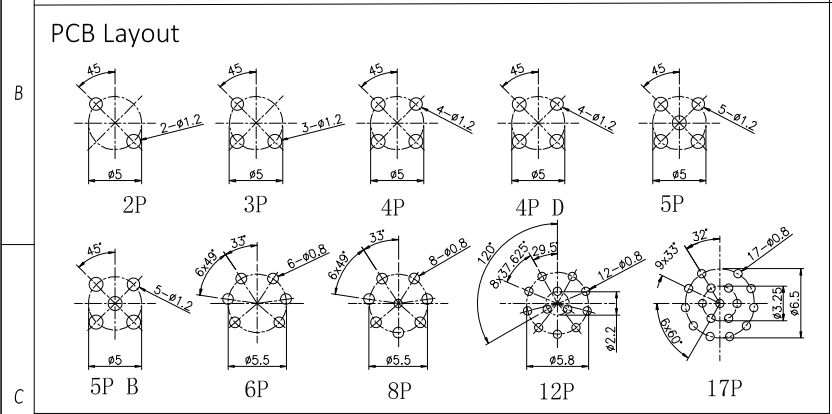


		Product NO. RHT-634-3069									
		ISSUE	DESCRIPTION	DWN	DATE	APPROVEN					
		R1.0	First issue	Ding	2021/11/11	JIM.KING					
Specifications	Contacts	2	3	4	4D	5	5B	6	8	12	17
	Rated current/ Rated voltage	4A/250V	4A/250V	4A/250V	4A/250V	4A/60V	4A/60V	2A/30V	2A/30V	1.5A/30V	1.5A/30V
	Rated pulse voltage	2500V	2500V	2500V	2500V	1500V	1500V	800V	800V	800V	800V
	Insulation resistance (MΩ)	≥100	≥100	≥100	≥100	≥100	≥100	≥100	≥100	≥100	≥100
	Contact resistance (mΩ)	≤5	≤5	≤5	≤5	≤5	≤5	≤5	≤5	≤5	≤5



6	Contacts	Brass	Gold plated	pc	2~17
5	O-ring	Rubber	/	pc	1
4	Nut	Brass	Nickel plated	pc	1
3	Body	Brass	Nickel plated	pc	1
2	Connector insert	PA66	/	pc	1
1	O-ring	Rubber	/	pc	1
No.	Specification	Material	Treat	Unit	O'tv

-TOLERANCES- UNLESS OTHERWISE SPECIFIED		RENHOTEC GROUP	
UNLESS OTHERWISE SPECIFIED TOLERANCES FOR MILLIMETERS ARE: 0.5 - 8mm ± 0.20mm 8 - 30mm ± 0.25mm 30 - 120mm ± 0.30mm		PART DESCRIPTION: M12 Female, Panel Mount, PCB Type, Front fastened P/N: RHT-634-3069	
Appr:	JIM.KING	Date	2021.11.11
Check:		Scale	Free
Draw:	DING	Unit	MM
		Type	Z
		Page	1/1

IP rating: IP67