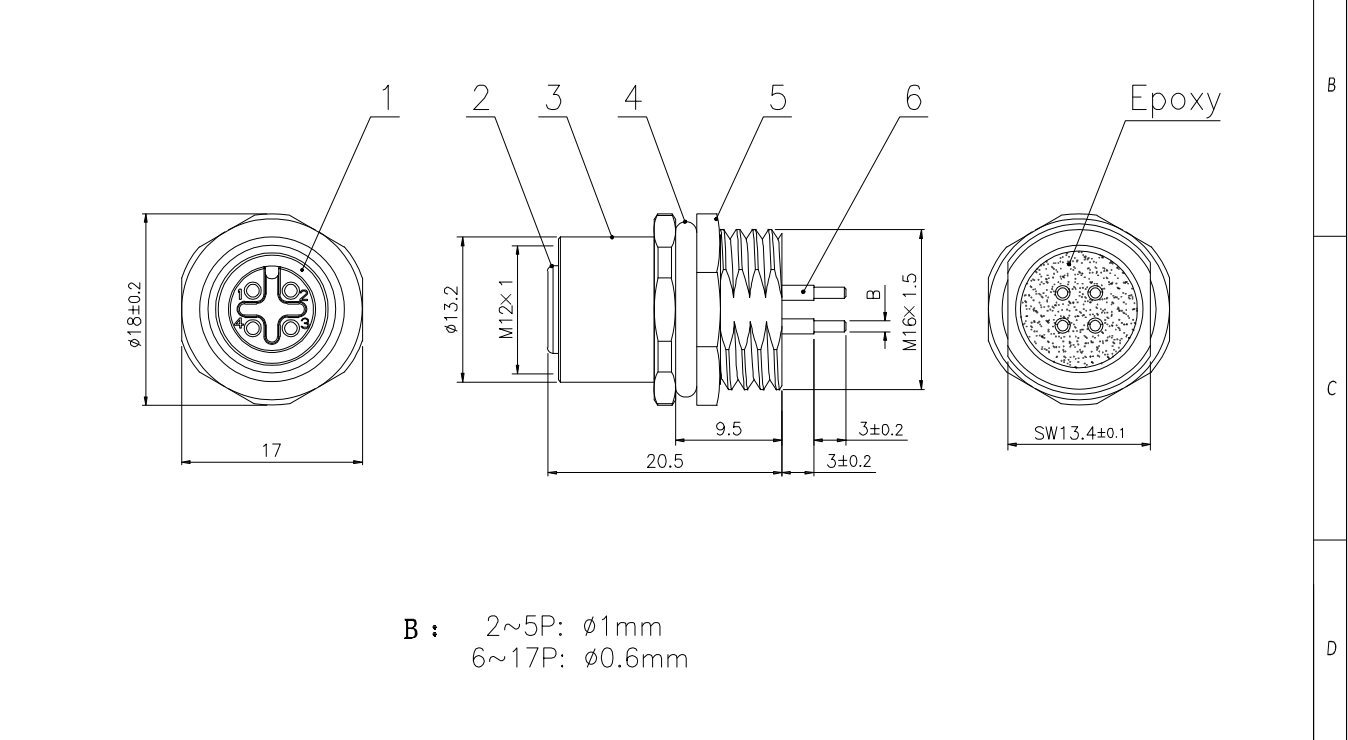
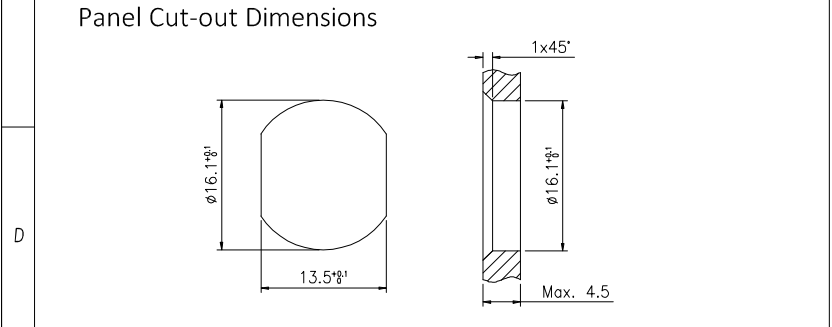
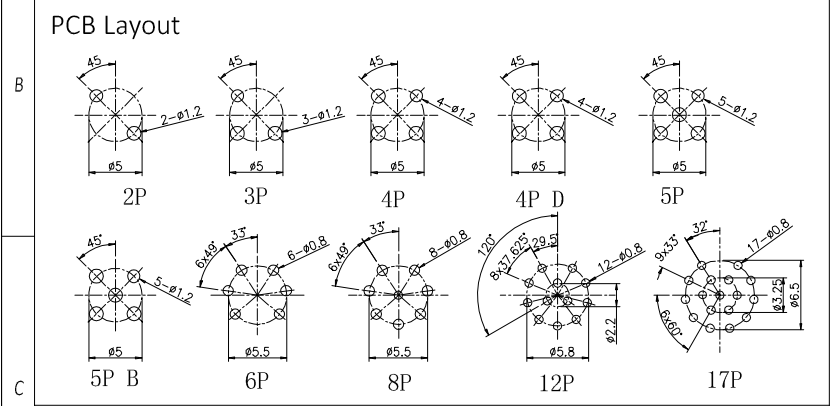


1		2		3		4		5		6					
Pin Layout				Specifications				Product NO. RHT-634-3077							
								ISSUE		DESCRIPTION		DWN	DATE	APPROVEN	
								R1.0		First issue		Ding	2021/11/11	JIM.KING	
Contacts		2	3	4	4D	5	5B	6	8	12	17				
Rated current/ Rated voltage		4A/250V	4A/250V	4A/250V	4A/250V	4A/60V	4A/60V	2A/30V	2A/30V	1.5A/30V	1.5A/3				
Rated pulse voltage		2500V	2500V	2500V	2500V	1500V	1500V	800V	800V	800V	800V				
Insulation resistance (MΩ)		≥100	≥100	≥100	≥100	≥100	≥100	≥100	≥100	≥100	≥10				
Contact resistance (mΩ)		≤5	≤5	≤5	≤5	≤5	≤5	≤5	≤5	≤5	≤5				



6	Contacts	Brass	Gold plated	pc	2~17
5	Nut	Brass	Nickel plated	pc	1
4	O-ring	Rubber	/	pc	1
3	Body	Brass	Nickel plated	pc	1
2	Connector insert	PA66	/	pc	1
1	O-ring	Rubber	/	pc	1
No.	Specification	Material	Treat	Unit	O'tv

-TOLERANCES- UNLESS OTHERWISE SPECIFIED	RENHOTEC GROUP	
	PART DESCRIPTION: M12 Female, Panel Mount, PCB Type, Rear fastened	
UNLESS OTHERWISE SPECIFIED TOLERANCES FOR MILLIMETERS ARE: 0.5 - 8mm ± 0.20mm 8 - 30mm ± 0.25mm 30 - 120mm ± 0.30mm	Appr: JIM.KING	P/N: RHT-634-3077
	Check:	Date
	Draw: DING	2021.11.11
	Scale	Unit
	Type	Page
	Free	MM
	Z	1/1