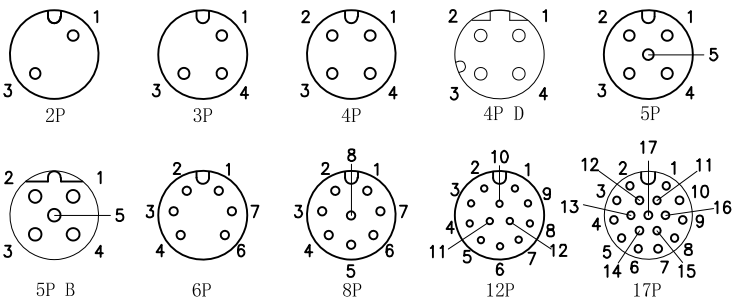
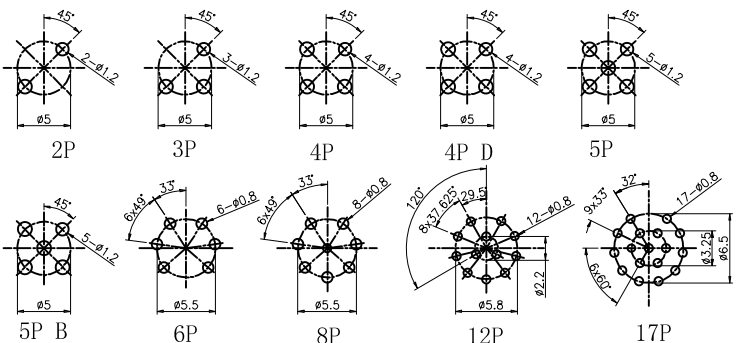


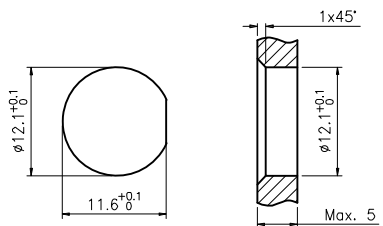
Pin Layout:



PCB Layout:

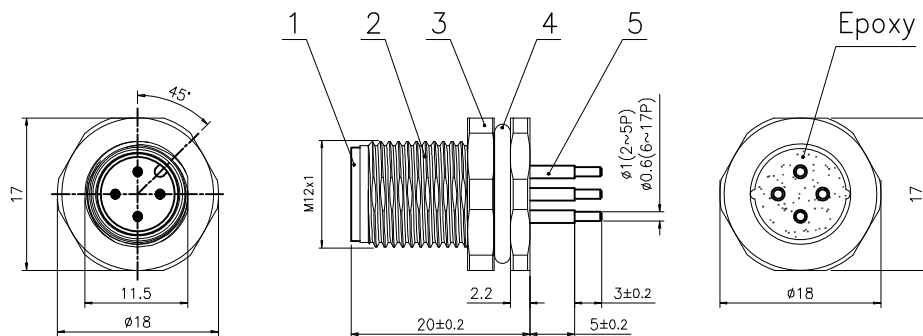


Panel Cut-out Dimensions:



Specifications

Contacts	2	3	4	4D	5	5B	6	8	12	17
Rated current/ Rated voltage	4A/250V	4A/250V	4A/250V	4A/250V	4A/60V	4A/60V	2A/30V	2A/30V	1.5A/30V	1.5A/30V
Rated pulse voltage	2500V	2500V	2500V	2500V	1500V	1500V	800V	800V	800V	800V
Insulation resistance (MΩ)	≥100	≥100	≥100	≥100	≥100	≥100	≥100	≥100	≥100	≥100
Contact resistance (mΩ)	≤5	≤5	≤5	≤5	≤5	≤5	≤5	≤5	≤5	≤5



5	Contacts	Brass	Gold plated	pc	2~17
4	O-ring	Rubber	/	pc	1
3	Nut	PA66	/	pc	1
2	Body	PA66	/	pc	1
1	Connector insert	PA66	/	pc	1
No.	Specification	Material	Treat	Unit	Q'tv

-TOLERANCES- UNLESS OTHERWISE SPECIFIED	RENHOTEC GROUP					
	PART DESCRIPTION: M12 male, Panel Mount, PCB Type, Front fastened					
UNLESS OTHERWISE SPECIFIED TOLERANCES FOR MILLIMETERS ARE: 0.5 - 8mm ± 0.20mm 8 - 30mm ± 0.25mm 30 - 120mm ± 0.30mm	Appr: JIM.KING	P/N: RHT-634-3308				
	Check:	Date	Scale	Unit	Type	Page
	Draw: DING	2021.11.11	Free	MM	Z	1/1