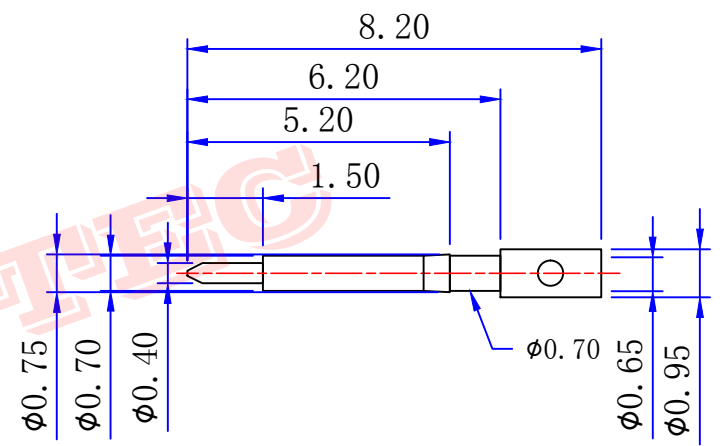
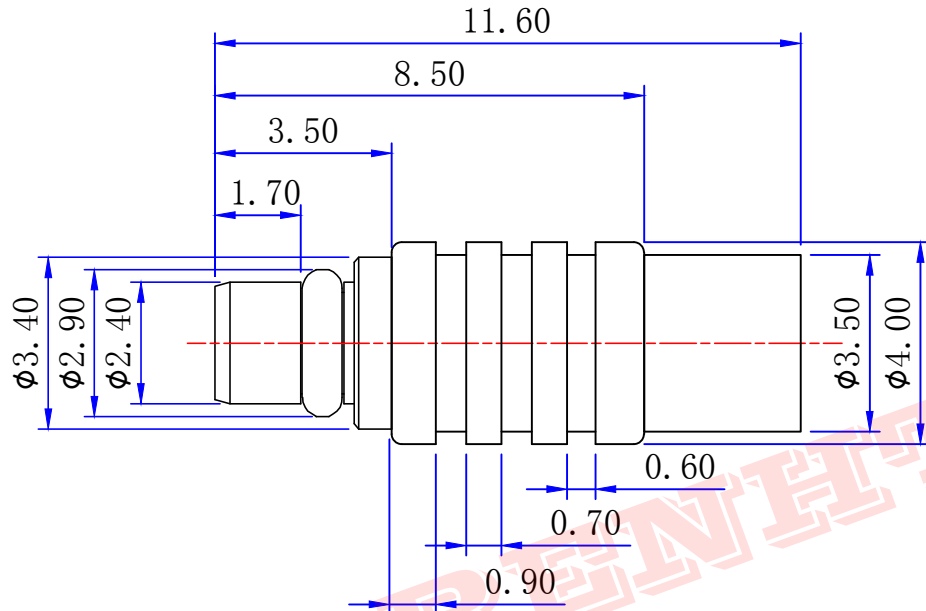




Product NO.		RHT-631-1009		
ISSUE	DESCRIPTION	DWN	DATE	APPROVEN
First	First issue	chen	2018/01/25	JIM. KING



Specifications  
 Impedance: 50 Ohms  
 Frequency Range: 0~6Ghz  
 VSWR: 1.25max  
 Working Voltage: <170 Vrms @ sea level  
 Insulation Resistance: 5000 Ohms min  
 Temperature Range: -65°C TO +155°C  
 Drawings products are in line with ROHS standards

NO	DESCRIPTION	MATERIAL	FINISH	QTY
3	PIN	BRASS	GOLD	1
2	INSULATOR	TEFLON	NONE	1
1	BODY	BRASS	GOLD	1

-TOLERANCES- UNLESS OTHERWISE SPECIFIED  UNLESS OTHERWISE SPECIFIED TOLERANCES FOR MILLIMETERS ARE: 0.5 - 8mm ± 0.10mm 8 - 30mm ± 0.15mm 30 - 120mm ± 0.20mm	<b>RENHOTEC GROUP</b> <a href="http://www.renhotec.com">www.renhotec.com</a>				
	PART DESCRIPTION: MMCX PULG CONNECTOR  Appr: JIM. KING P/N: RHT-631-1009				
Check:	Date	Scale	Unit	Type	Page
Draw: chen	2018.01.25	Free	MM	Z	1/1